

ShowerSelect S
Mixer for concealed installation for 2 functions
 Surfaces: **Chrome** Article Number: **15748000**



Description

product features

- 2 functions
- simultaneous use of several outlets
- maximum flow rate at 3 bar: 22 l/min
- flow rate of hand shower at 3 bar: 22 l/min
- flow rate upper outlet: 22 l/min
- flow rate lower outlet: 22 l/min
- ceramic cartridge for temperature control, Start/stop valve to operate the functions
- temperature limitation adjustable
- Mixer is delivered with button On/Off
- connection type: basic set
- min. operating pressure: 1 bar
- max. operating pressure: 10 bar

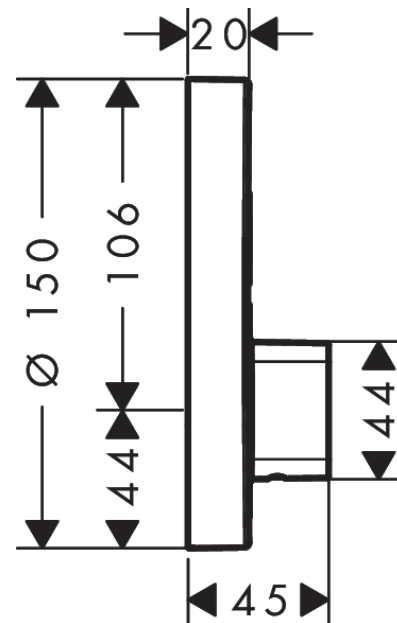
Technology



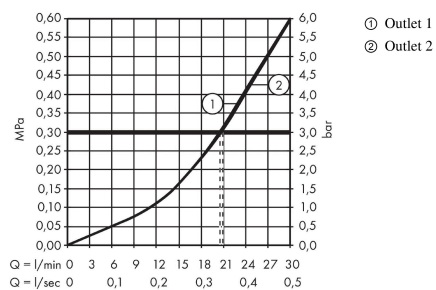
Product image



Scale drawing



Flowchart

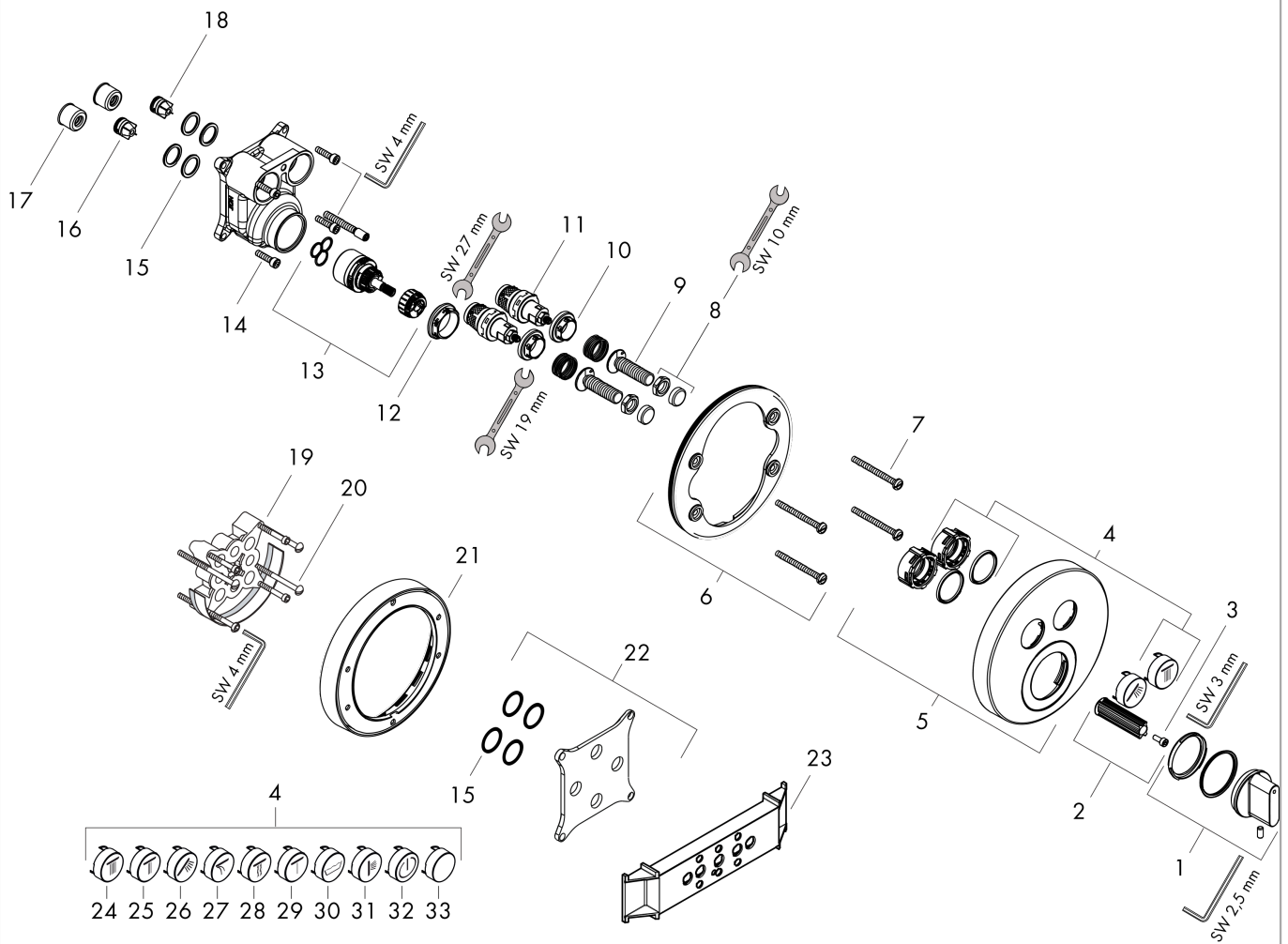


ShowerSelect S
Mixer for concealed installation for 2 functions
 Surfaces: **Chrome** Article Number: **15748000**



Exploded Drawing

Year of production: >05/14



ShowerSelect S
Mixer for concealed installation for 2 functions
 Surfaces: **Chrome** Article Number: **15748000**



Spare part list

Year of production: >05/14

| Pos. | Description | Article Number | Price | PU |
|------|---|----------------|----------|----|
| 1 | handle | 92350000 | € 86,16 | 1 |
| 2 | adapter for handle | 92349000 | € 8,45 | 1 |
| 3 | hexagon socket screw M4x10 | 97661000 | € 5,24 | 1 |
| 4 | set of symbols | 92218000 | € 70,57 | 1 |
| 5 | escutcheon Ø 150 mm | 92353000 | € 124,95 | 1 |
| 6 | holder for escutcheon | 98793000 | € 35,94 | 1 |
| 7 | set of fixing screws | 96454000 | € 8,45 | 1 |
| 8 | nut and flange | 92696000 | € 13,92 | 1 |
| 9 | Select-adapter | 92219000 | € 5,24 | 1 |
| 10 | nut | 98368000 | € 11,31 | 1 |
| 11 | shut off unit | 95758000 | € 100,44 | 1 |
| 12 | nut | 98913000 | € 18,33 | 1 |
| 13 | cartridge, assy | 98303000 | € 70,57 | 1 |
| 14 | set of screws | 96525000 | € 8,45 | 1 |
| 15 | O-ring 16x2 | 98133000 | € 3,21 | 1 |
| 16 | non return valve (pressure-resistant up to 2 MPa) | 92594000 | € 13,92 | 1 |
| 17 | noise reduction | 94073000 | € 22,37 | 1 |
| 18 | non return valve | 97980000 | € 28,20 | 1 |
| 19 | extension 25 mm | 13595000 | - | 1 |
| 20 | set of fixing screws | 97747000 | € 3,21 | 1 |
| 21 | extension 22 mm (Ø 150 mm) | 13597000 | - | 1 |
| 22 | compensation set 1° | 95521000 | € 162,08 | 1 |
| 23 | fit-up aid | 92540000 | - | 1 |
| 24 | symbol head shower Rain large | 93571880 | € 8,45 | 1 |
| 25 | symbol head shower Rain small | 93572880 | € 8,45 | 1 |
| 26 | symbol handshower | 93573880 | € 8,45 | 1 |
| 27 | symbol Flood jet | 93574880 | € 8,45 | 1 |
| 28 | symbol Whirl | 93575880 | € 8,45 | 1 |
| 29 | symbol Mono | 93576880 | € 8,45 | 1 |
| 30 | symbol tub | 93577880 | € 8,45 | 1 |
| 31 | symbol body shower | 93578880 | € 8,45 | 1 |
| 32 | symbol ON/OFF | 93579880 | € 8,45 | 1 |
| 33 | pushbutton | 93955880 | € 18,33 | 1 |
| a | concealed item | 01800180 | - | 1 |
| b | adapter for exchanged connections | 93181000 | € 249,90 | 1 |
| c | shut off unit (special) | 92361000 | € 100,44 | 1 |
| d | Grease | 90920000 | € 13,92 | 1 |